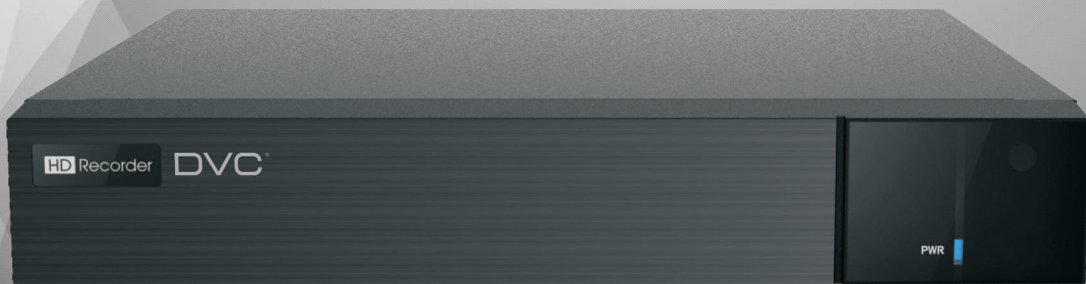


DRN-0451R

4 CH NVR

6MP/5MP/4MP/3MP/1080P/720P HD NVR



HD Output



HD IPC



DDNS



Network



PTZ



Audio



MIC



Mobile



CMS



USB



Mouse



E-mail



STD



VCA

DRN-0451R series supports 4 CH 6MP/5MP/4MP/3MP/1080P/1280×1024/ 960P/720P high definition IP video input, which adopts the most advanced SOC technique to ensure high definition recording in each channel and realize outstanding robustness of the system.

DRN-0451R series supports 4 CH IP input, simultaneous 4 CH playback, and 1080P high definition display. The series of product can meet different security requirements of home, financial, commerce, enterprise, transportation and government, etc.



dvc.video

For more information, please visit our website



**alarm
automatika**®

| www.alarmautomatika.com |

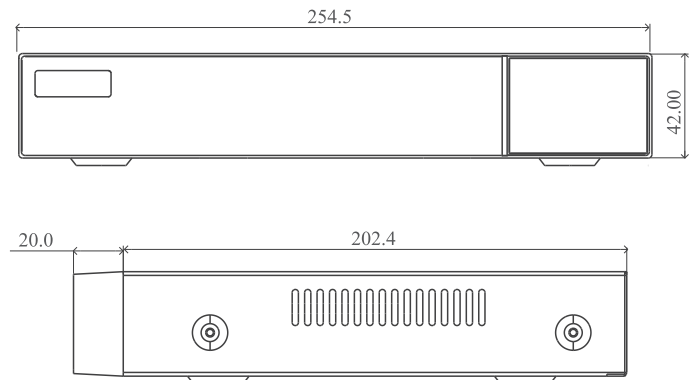
Specifications

Model		DRN-0451R
System	OS	Embedded Linux
Video	Network Input	4 CH IPC input
	Network Input Resolution	6MP/5MP/4MP/3MP/1080P/1280×1024/960P/720P/960H/D1/CIF
	Output	HDMI × 1 : 1920 × 1080 / 1280 × 1024/ 1024 × 768 VGA: 1920 × 1080 / 1280 × 1024/ 1024 × 768 HDMI and VGA output the same video source
	Compression	H.265S / H.265+ / H.265 / H.264
Audio	Network Input	4 CH IPC audio input
	2-way Audio	No
	Local Output	No (HDMI supports the audio output)
	Compression	G.711(U/A)
Record	Record Stream	Dual stream recording
	Resolution	6MP/5MP/4MP/3MP/1080P/1280×1024/960P/720P/960H/D1/CIF
	Frame Rate	6MP@20fps(NTSC/PAL); 5MP or lower@30fps/25fps(NTSC/PAL)
Playback	Simultaneous Playback	Max. 4 CH
	Search	Time slice / time / event / tag / smart search
	Smart Search	Highlighted color to display the camera record in a certain period of time, different colors refers to different record events
	Function	Play, pause, FF, FB, digital zoom, etc.
Decoding Capability	Live View/ Playback	1CH 6MP; 4CH 720P
Alarm	Mode	Manual, sensor, motion, exception, smart events
	Input	Support IPC alarm input
	Output	Support IPC alarm output
	Triggering	Record, snapshot, buzzer, preset, e-mail, etc.
Network	Interface	RJ 45 100Mbps × 1
	Protocol	TCP / IP, IPv4, IPv6, PPPoE, DHCP, DNS, DDNS, UPnP, NTP, SMTP, HTTP, HTTPS, 802.1x, RTSP, SNMP, ONVIF, etc.
	Incoming Bandwidth	32 Mbps
	Outgoing Bandwidth	32 Mbps
	Client Connection	Max. 10 users access
LPR	Plate Recognition	Yes
Mobile Device	OS	iOS, Android
Storage	HDD Interface	SATA2.0 × 1, max 8T
Backup	Local Backup	U disk, USB mobile HDD
	Network Backup	Yes
Port	USB	USB 2.0 × 2
	Remote Controller	Optional
Others	Power Supply	DC 12V/1.5A
	Consumption	< 6W (without HDD)
	Dimensions (mm)	255 × 222 × 42 (W × D × H)
	Working Environment	-10 ~ 50 °C , 10% ~ 90% humidity
	Certificate	CE, FCC
Environmental Protection		Complies with Directive EU RoHS, REACH and WEEE

Features

- Support 4CH 6MP/5MP/4MP/3MP/1080P/ 1280×1024/ 960P/720P/960H/ D1/CIF IP video input
- H.265S/H.265+/H.265/H.264 coding
- Intuitive and user-friendly Graphic User Interface (GUI), Windows style operation by mouse
- Multi-mode recording: manual / timed / motion / sensor / POS / AI recording
- Playback : 4 CH simultaneous playback
- Search : time slice, time, event, tag, smart search
- Support multiple VCA (Video Content Analytics) events, such as object abandoned/missing, region intrusion, tripwire, video exception, etc.
- Support POS information overlay on live view and playback
- Express and flexible backup via USB, network and so on
- Pentaplex : preview, record, playback, backup and remote access
- DHCP, DDNS, PPPoE network protocol
- Remote control via Web Client or CMS : preview, playback, backup, PTZ and configuration
- Dual stream technology for local storage with high definition, remote network transmission and remote surveillance with mobile device
- Authorization management, log view and device status view
- 1080P HD output, true high resolution display
- Support NAT function and QRCode scanning by mobile phones
- Powerful mobile surveillance by smart phones with iOS and Android OS

Dimensions



Rear Panel

DRN-0451R

